

LCD DIGITAL PANEL METERS

Window / Surface Mount, low-cost 4 1/2 Digit LCD Display



No Backlight
Window/Surface Mount (Actual size)

Features:

- Low-cost, high-performance replacement for many OEM DPMs
- Mounting choices: Window mount for custom OEM
Surface mount with minimum space behind the panel
- Low power: choice of 1.5mA (9V, ±5V) or 2.6mA (+5V)
- Space-saving design: only 1" (25 mm) deep
- Occupies less than 2.5 X 1.1 inches of front panel space
- 4 1/2 digits with high-contrast LCD Display

Specifications:

Display:	
Digits:	4 1/2 digits (±19999 counts)
Type:	0.5" (13mm) 7 segment LCD
Polarity:	Automatic, "-" displayed
Annunciators:	"LoBat" when power <7.2 VDC
Decimal Points:	4 position, user selectable
Overload:	Four lower order digits blank for inputs >1999 & <-1999
Hold:	Standard
Inputs:	
Ranges:	±200.0mV, ±2.000V, ±20.00V DC
Configuration:	Single ended for 9V powered, Differential for 5V powered
Protection:	±10V DC on 200mV ; ±100V DC on @ 2V ; ±350V DC on 20V range
Impedance:	>100 Megohm on ± 200mV ; (>1 Megohm on 2V & 20V range)
Bias Current:	10pA typical
Performance:	
Accuracy:	±(0.06% fs + 1 count) maximum
Conversion Rate:	2 per second
Normal Mode Rejection:	>30 db @ 60 Hz
Common Mode Range:	±1V DC (5V powered)
Common Mode Rej.:	>86 dB
Zero Adjustment:	Automatic
Warmup:	10 minutes typical
Temperature Coeff.:	± 50 ppm per °C typical ± 100 ppm max for 200mV range ± 100 ppm per °C typical ± 200 ppm max for 2V & 20V ranges
Environment:	
Operating Range:	0 to 50 °C
Storage Range:	-20 to 70 °C
Power Supply:	
5V powered DPM:	+5V DC (4.65 - 5.35) at 2.6 mA
9V(±5V) powered:	+7.2 to +12 V at 1.5 mA
Mounting:	
	Window/surface Mount
Connection:	
	13 pins, 0.025" square on 0.1" centers

Ordering Information

MODEL	DESCRIPTION
DK702	4 1/2 digit, 5V power, 200mV Input
DK703	4 1/2 digit, 5V power, 2V Input
DK704	4 1/2 digit, 9V power, 200mV Input
DK705	4 1/2 digit, 9V power, 2V Input

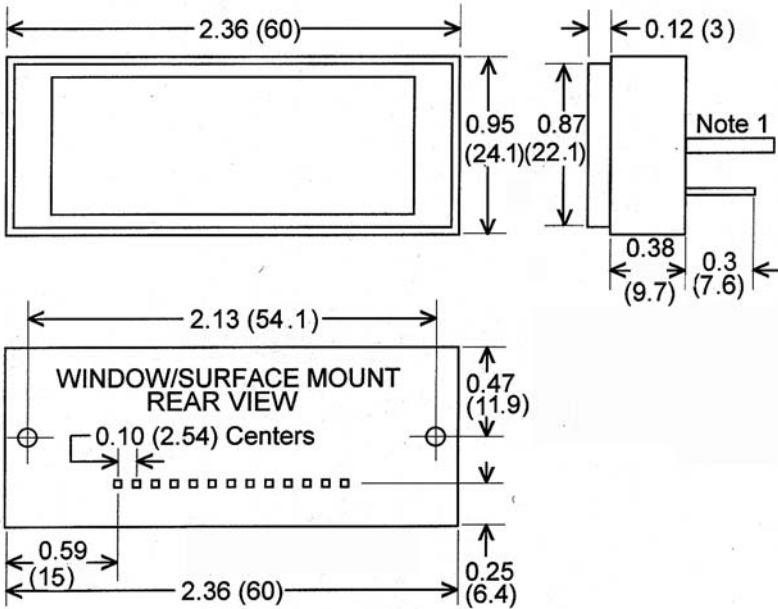
J4C1313 Pin Connector / Wire Assembly
PW2-5Regulated 120V AC to 5V DC Adaptor



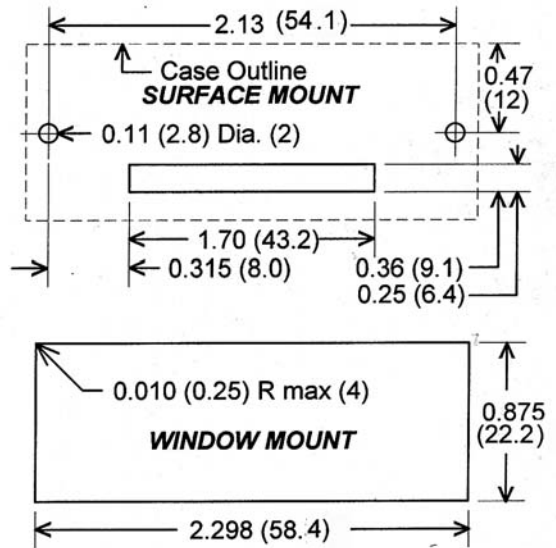
C-TON Industries • PO Box 10129 • Bedford, NH, 03110 • USA
03110-0129

Dimensions

WINDOW/SURFACE MOUNT DIMENSIONS



PANEL CUTOUTS



CONNECTION DESCRIPTION

PIN#	13-PIN	DESCRIPTION
1	V+	POSITIVE SUPPLY CONNECTION
2	V-	NEGATIVE SUPPLY CONNECTION
3	INHI	INPUT HIGH TERMINAL
4	INLO	INPUT LOW TERMINAL
5	D1	DECIMAL POINT = 000.0
6	D2	DECIMAL POINT = 00.00
7	D3	DECIMAL POINT = 0.000
8	D4	DECIMAL POINT = .0000
9	DP	DP COMMON
10	RNG	10:1 RANGE
11	HOLD	HOLD FEATURE
12	NC	
13	NC	

CONNECT TO DECIMAL POINTS TO ACTIVATE
 } CONNECT TO V+ TO ACTIVATE